

## JetView 1010 HMI

### Short description

The JetView 1005/1007/1010 HMIs have a brilliant widescreen display with a Projected Capacitive Touch Screen (PCAP). Screen sizes range from 5" to 10". The two Ethernet ports with integrated switch function make it very easy to integrate the devices into existing networks. A scratch-resistant and dirt-repellent, real glass surface with IP66 degree of protection enables use in harsh environments.



### Features

- Seamless glass front panel
- Widescreen
- Multi-touch
- SVG graphics capable
- 2x Ethernet port
- USB interface
- SD card slot
- Control function included

### Options

- B4 - Operating system WINDOWS CE 6.0
- B9 - Operating system WINDOWS Embedded Compact
- CO - CANopen® only in conjunction with WEC2013 (-B9)
- PBS - Profibus slave

# JetView 1010

## Technical Data

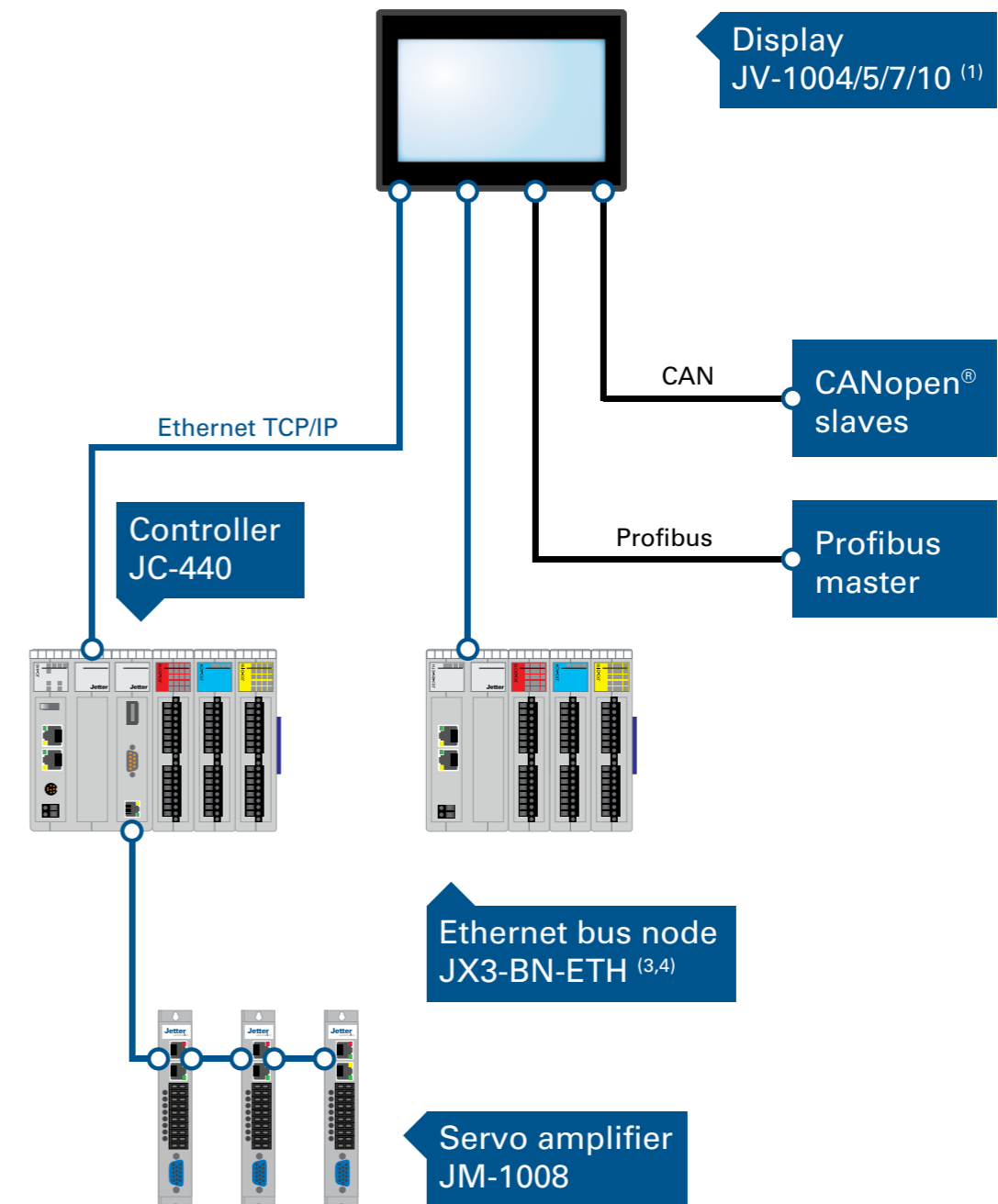
JV-1010	
Display	10.1" TFT color display, 16 bits color depth, widescreen
Resolution	1280 x 800 (WXGA), 8:5
Brightness	300 cd/m <sup>2</sup>
Front	Glass
Background lighting	LED
Input device	Touchscreen
Touchscreen	Capacitive (PCAP), multi-touch with WEC 2013
Function keys	-
Softkeys	-
Operating system	Windows® CE 6.0 R3 / Windows® EC 2013
Internal disk drives	-
Ports and interfaces	2x Ethernet with integrated switch function, 2x USB, 1x multi-standard serial port, 1x SD card slot
Processor	ARM Cortex A8
Clock frequency	1 GHz
Memory	256 MB RAM, 256 MB flash
Operating voltage	DC 24 V (DC 18 ... 30 V), 1 A at DC 24 V
Operating temperature	0 ... 50 °C
Storage temperature	-20 ... 70 °C
Degree of protection	IP65 (front panel), IP20 (rear panel)
Housing	Aluminum
Weight	Approx. 1.7 kg
Dimensions (W x H x D)	282 x 197 x 55 mm
Certifications	CE

Further details and order information are available on request. Specifications are subject to change without notice. Errors and omissions excepted.

## Ordering Informations

10001140 - JV-1010-PCT-E1-L5-B4  
 10001443 - JV-1010-PCT-E1-L5-B9  
 10001718 - JV-1010-PCT-E1-L5-B9-CO  
 10001792 - JV-1010-PCT-E1-L5-B9-PBS

## System overview



(1) Display including control functionality  
 (2) Order option -CO or -PBS (JV-1005/7/10 only)  
 (3) Up to 64 JX-BN-ETH  
 (4) Up to 16 JX3-IO modules per JX3-BN-ETH bus node

